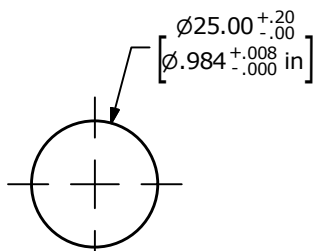


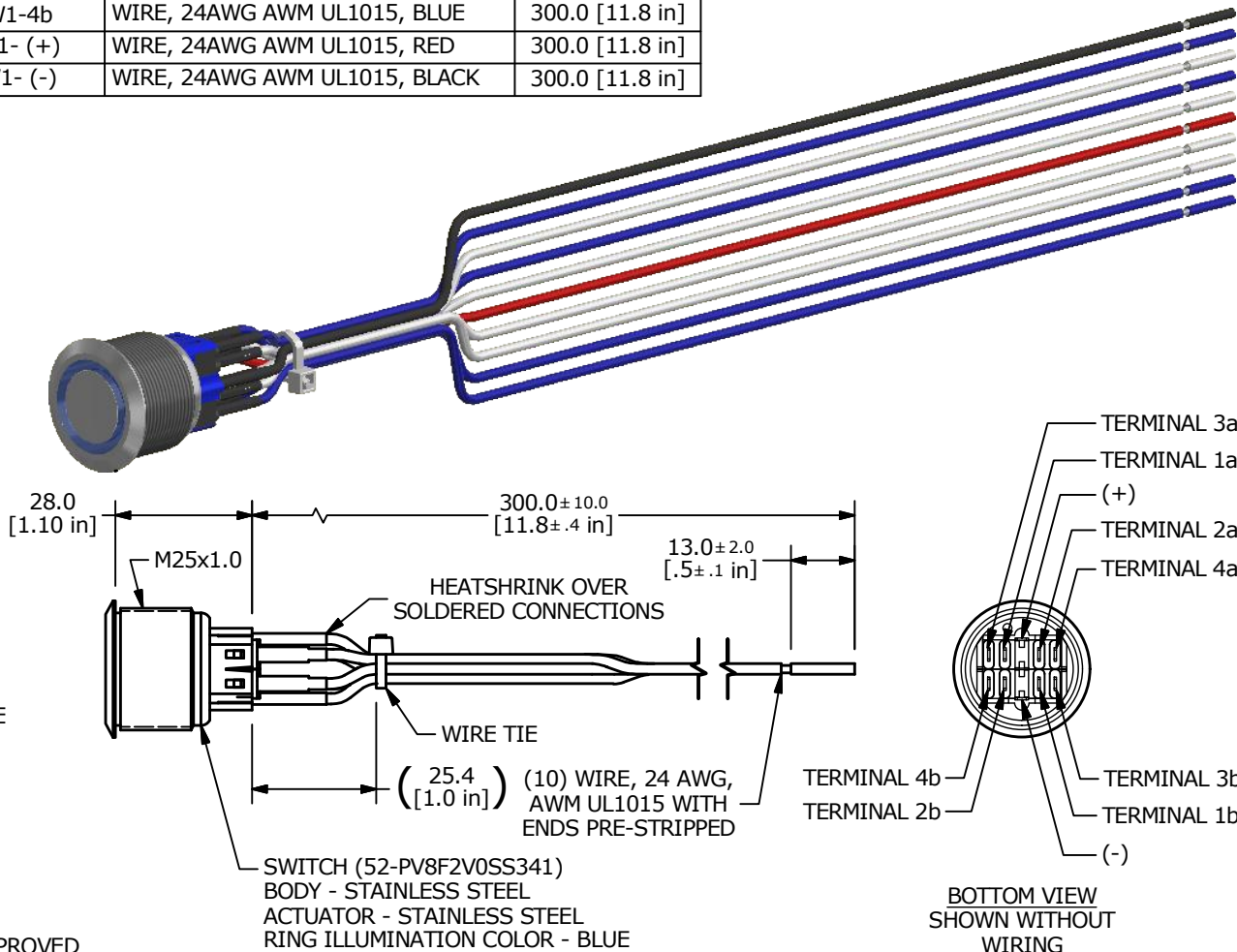
SCHEMATIC
 OFF - (ON) / ON - (OFF) - DPDT ILLUMINATED
 () DENOTES MOMENTARY FUNCTION

SWITCH	WIRE	LENGTH
SW1-1a	WIRE, 24AWG AWM UL1015, WHITE	300.0 [11.8 in]
SW1-2a	WIRE, 24AWG AWM UL1015, WHITE	300.0 [11.8 in]
SW1-3a	WIRE, 24AWG AWM UL1015, BLUE	300.0 [11.8 in]
SW1-4a	WIRE, 24AWG AWM UL1015, BLUE	300.0 [11.8 in]
SW1-1b	WIRE, 24AWG AWM UL1015, WHITE	300.0 [11.8 in]
SW1-2b	WIRE, 24AWG AWM UL1015, WHITE	300.0 [11.8 in]
SW1-3b	WIRE, 24AWG AWM UL1015, BLUE	300.0 [11.8 in]
SW1-4b	WIRE, 24AWG AWM UL1015, BLUE	300.0 [11.8 in]
SW1- (+)	WIRE, 24AWG AWM UL1015, RED	300.0 [11.8 in]
SW1- (-)	WIRE, 24AWG AWM UL1015, BLACK	300.0 [11.8 in]



RECOMMENDED PANEL CUTOUT
 MAX. PANEL THICKNESS 10.0 [.39 in]

- NOTES:**
- DIMENSIONS IN MM [INCH]
 - ALL MATERIAL SHALL BE ROHS COMPLIANT
 - TERMINAL NUMBERS FOR REF. ONLY
 - RATING: 2A @ 48VDC
 - ▲ ILLUMINATION VOLTAGE: 2.8V FORWARD, 2.8V REVERSE
 - CONTACT RESISTANCE: 50mΩ MAX. @ 1A 12VDC
 - INSULATION RESISTANCE: 1,000MΩ @ 500VDC
 - DIELECTRIC STRENGTH: 2,000VAC MIN. FOR 1 MINUTE
 - ELECTRICAL LIFE: 50,000 CYCLES
 - OPERATING TEMPERATURE: -20°C to 55°C
 - INGRESS PROTECTION: IP65
 - ▲ DENOTES CRITICAL PARAMETER.
 - ▲ SUPPLIED HARDWARE: O-RING AND HEXNUT
 - USE PART NUMBERS DESIGNATED OR ENGINEERING APPROVED EQUIVALENTS.



TITLE PV8FWV0SS-341				
SCALE	DATE	DR	DWG	REV
2:3	1/21/2019	MJR	52-PV8FWV0SS341	D